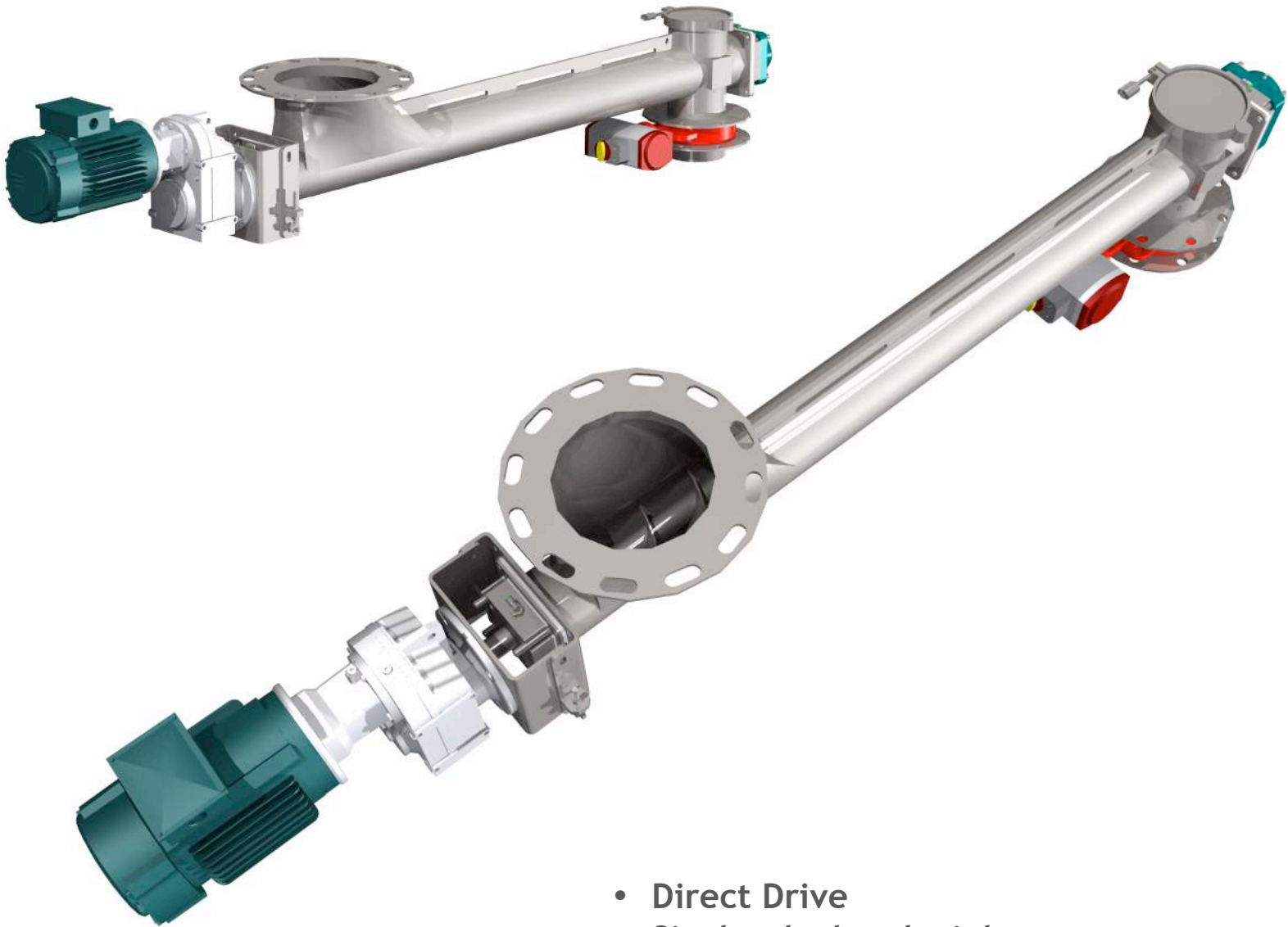


# Volumetric Tube Feeder



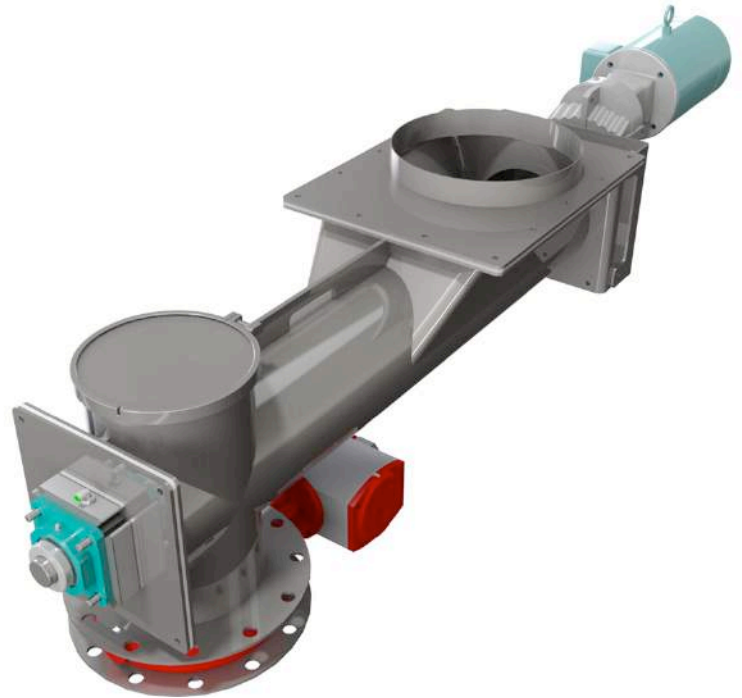
- Direct Drive
- Single, dual and triple auger housings
- Variable pitch flighting
- Tool free take apart

**HAF**

Process Equipment and Systems

# VTF 300 to VTF 900

Our tube features are all tool free take apart and leak free. Especially suited for operation under a vacuum, the tubular design provides a tight leak proof powder-handling platform. Direct drive reduces maintenance and when coupled with a VFD provides a 10 to 1 feed range-all without complexity. A special "keel" inlet reduces rat-holing, bridging and provides a nice smooth transition of powder to auger zone.



## Super Clean

Tube housing keeps it contained.

- Tool free take apart

- Direct drive with Nema C-face motor

- Expanded discharge for high rate discharging

- Suitable for vacuum operation to minus 17" Hg

- Keel inlet smooth's powder flow to auger

- Size range 3 " dia to 9" dia sizes

## Sizes to match your process rates

Compact size with full size capabilities

- Outboard mounted bearings

- Shafts are welded to center pipe

- Air purge seals-standard

- Range of flight profiles

- TIG welded construction



Food grade/ USDA-3A dairy/ Chemicals/ Plastics/ Nutraceuticals



[www.hafequipment.com](http://www.hafequipment.com)

HAF Equipment Inc  
1255 Cope Ave East  
Maplewood MN 55109  
Phone: 651-653-5098